

KFD

KFD Sp. z o.o. – established 1996



ECO FIREPLACES

ECO 70

Fireplace insert suitable for continuous burning

NEW



ECO 70

The way to beat polar frosts



heating power range 7-17 kW



efficiency 80%



heated surface 70-170 m²



heated capacity 175-425 m³



damper



direct air inlet



installation stand








EN 13229



corner fireplace insert
ECO 70 R
 glass on front and right side

corner fireplace insert
ECO 70 L
 glass on front and left side



-  heating power range 7-17 kW
-  efficiency 80%
-  heated surface 70-170 m²
-  heated capacity 175-425 m³
-  damper
-  direct air inlet
-  installation stand

fireplace insert advantages **KFD ECO 70**

The range of **KFD ECO 70** has all the characteristics of modern fireplace inserts - decorates and heats. Reliable, safe, powerful and easy to use. The materials from which the **KFD ECO 70** fireplace inserts are made, guarantee trouble-free operation for years to come, even if the fireplace will be intensely used. **KFD ECO 70** fireplace inserts are ideal as a heating appliance.

■ Meet PN-EN 13229 norm

■ Marked with the European CE safety mark

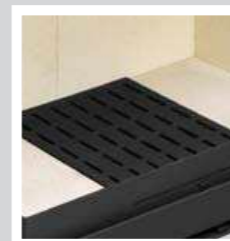
High efficiency.



Robust, highest quality steel construction ensures safety and durability for many years of use.



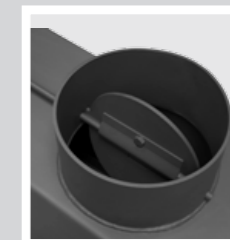
Removable damper and the construction of the fireplace allows easy maintenance with no need to dismantle the insert.



Fluent air inlet adjustment allows for the flame and the burning rate control.



Damper allows for precise adjustment of the chimney draught.



Special smoke deflector extends the exhaust gases flow path in the insert. In consequence, heating efficiency is increased and combustion becomes more efficient and environment friendly.



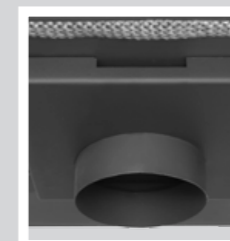
Doors are blocked with a dead bolt lock and a comfortable handle.



The glass remains longer clean thanks to the air curtain and the effect of pyrolysis.



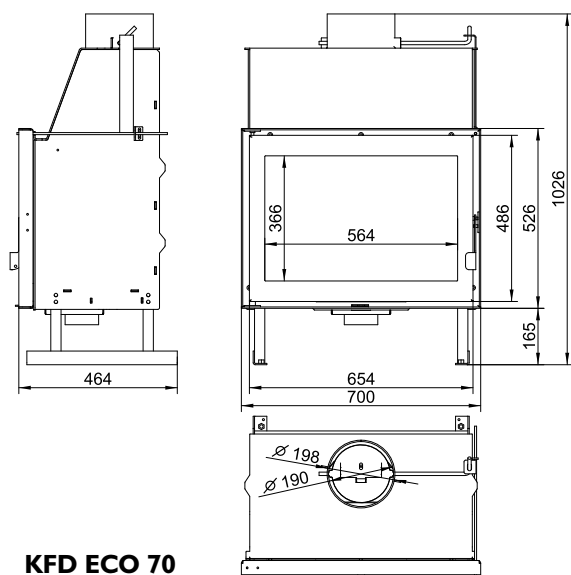
100 mm diameter air intake from the outside directly into the fireplace.



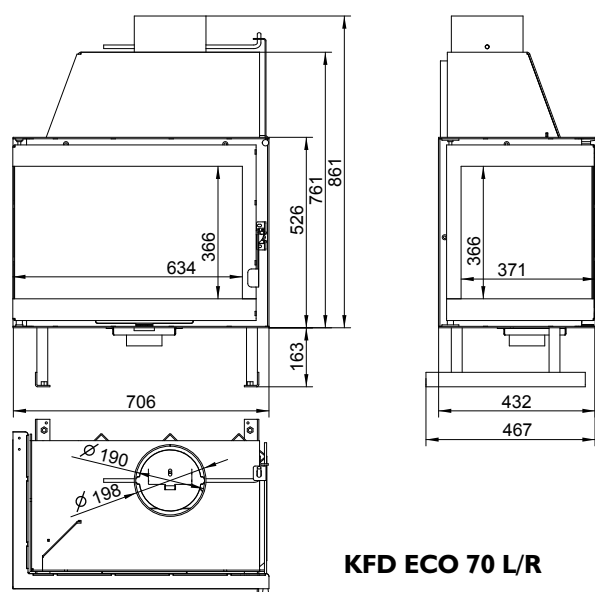
Grate with a large ash pan.



product characteristics **KFD ECO 70**



KFD ECO 70



KFD ECO 70 L/R

fireplace insert	KFD ECO 70	KFD ECO 70 L/R
technical data		
rated power [kW]*	13	13
heating power range [kW]*	7-17	7-17
efficiency [%]*	80	80
CO emission at 13% O ₂ [%]*	0,08	0,08
heated surface [m ²]	70-170	70-170
heated capacity [m ³]	175-425	175-425
maximum log length [cm]	50	60
maximum load of wood [kg]	4	4
minimum effective chimney height [m]	5	5
min. negative pressure in chimney duct [Pa]	12	12
dimensions and weight**		
total dimensions, h x w x d [mm]	1024 x 700 x 464	1024 x 706 x 467
front dimensions, w x h [mm]	708 x 531	706 x 526
side dimensions, w x h [mm]	----	432 x 526
front glass dimensions, w x h [mm]	580 x 408	637 x 431
side glass dimensions, w x h [mm]	----	372 x 431
smoke outlet external diameter [mm]	198	198
smoke outlet internal diameter [mm]	190	190
air inlet diameter [mm]	100	100
weight [kg]	125	110

*Parameters according to the EN 13229 norm.

**Due to the tolerances in the production process, there may be minor differences between the finished product and the drawings and the above mentioned dimensions. In cases when the exact dimensions of the product are essential for planning and for the fireplace installation, please measure the real dimensions of the insert that will be installed.

KFD Sp. z o.o. reserves the right to introduce without notification any changes of technical parameters, equipment and specifications of offered devices. Information given in this promotional material are pictorial. This publication does not constitute an offer within the meaning of the Art. 66 of the Civil Code. Individual settlement of features, warranty conditions and product specification takes place within the sales contract and the warranty card. KFD Sp. z o.o. is not responsible for print errors.

© Copyright KFD Sp. z o.o. 2016. All rights reserved. Leaflet printed in Poland. Ver. KFDECO70ENG05122016.

ECO FIREPLACES



KFD Sp. z o.o. – established 1996

KFD Sp. z o.o.
ul. Olszankowa 51, PL 05-120 Legionowo, Poland
e-mail export@kfd.eu, www.kfdesign.eu
phone +48 507 005 711, fax +48 227 741 711



KFD SELLER **KFD**