

# EBANO STORE EcoDesign



## MEASURES

DIMENSIONS H x W x D	<b>550x1000x525 mm</b>
GROSS WEIGHT	<b>263 kg</b>
FIREWOOD ENTRANCE	<b>848x266 mm</b>
SMOKE FLUE	<b>Ø 150-153 mm Top</b>

Minimum distance to combustible materials:  
Side **20 cm** - Rear wall **10 cm** - Front **100 cm**

## CHARACTERISTICS

CAST IRON GRILL AND DOOR	
PANORAMIC VISION	
NOMINAL HEAT OUTPUT	<b>8,9 KW</b>
EFFICIENCY	<b>80,8 %</b>
CO EMISSIONS	<b>0,10 %</b>
HEAT RESISTANT PAINT	<b>800°C</b>
CERAMIC GLASS HEAT RESISTANCE	<b>750°C</b>

EAN 8426964230154  
REF. KUNST 23015

## ECODESIGN



**EXTERNAL AIR INTAKE**



**DOUBLE STEEL BODY SHEET  
6 + 3 MM**



**270 m<sup>3</sup>** HEATING VOLUME



VERMICULITE LINING



PRINTED GLASS



WOOD LOGS UP TO 80 CM



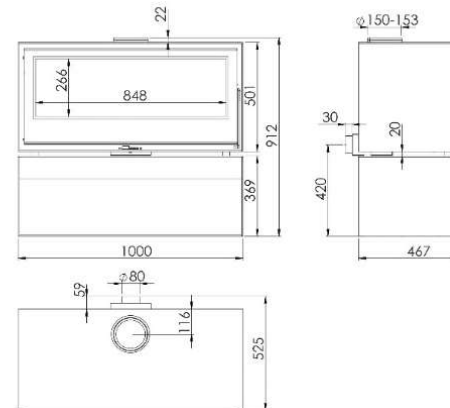
CLEAN GLASS SYSTEM



TRIPLE COMBUSTION



WOOD LOG STORAGE



EBANO EN



Art. 15a B-VG **BImSchV2**

